



AUTOMATION...

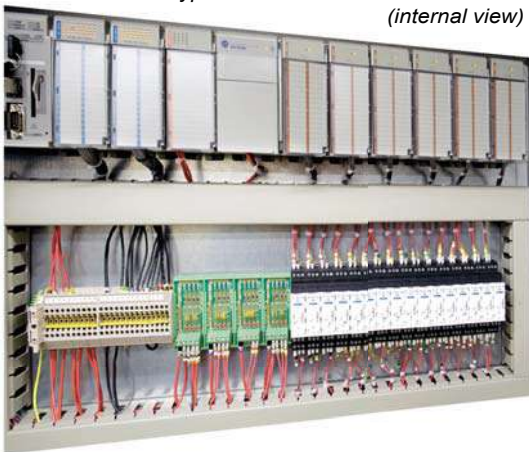
The IMCS2200 the next generation of Integrated Alarm and Control systems.

- Built to customer's exact requirements.
- Scalable to suit all classes of vessels.
- A drop-in replacement for Decca Isis outstations
- Commercial off the shelf Hardware.
- Versatile Modular Graphical Software.
- Worldwide network of System Integrators.
- High performance and reliability.



Integrating
OUTSTATIONS
WORKSTATIONS
CABIN CALL PANELS
CCTV

A typical bulkhead mounted outstation
(internal view)



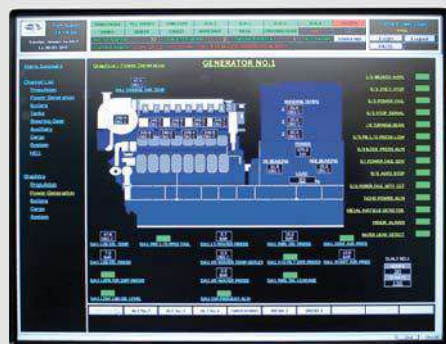
The **IMCS2200** is an integrated Monitoring and Control System that is especially suited to the Retrofit and Conversion market.

The system draws upon off-the-shelf hardware and software both of which come highly recommended within the industry. It is extremely flexible, scalable and reliable. Because it embraces industry standard open architecture 'system owners' can draw support from a worldwide network of System Integrators.

It is also the perfect replacement for Decca Isis Systems. The outstations utilise the same fixing centres and sensor wiring connectors of the original units in order to facilitate both fast and efficient upgrades.



The outstation HMI has most of the features of a Workstation and can be used as a stand-alone alarm panel for smaller systems.



A typical workstation screen that offers 'One click Navigation to any other display.

P&S Automation give a 2 year warranty on all builds which is a true reflection of the confidence they have in the performance and reliability of the product.

The **IMCS2200** is designed to meet the challenges of modern shipping today.

IMCS2200

GENERAL SPECIFICATION

SYSTEM, *General*

Distributed monitoring and control system to UMS specification. With Input/Output (I/O) supervision and interface to serial links and pager systems.

OUTSTATION Hardware

Allen Bradley Control/Logix, CompactLogix and FlexLogix Remote Input Output (RIO) are all reliable high quality hardware.

WORKSTATIONS

The workstation interface uses 'marine approved' PC's and peripherals.

COMMUNICATIONS Network

The communication networks utilise redundant open architecture, namely EtherNet/IP and Dual ControlNet, depending on the specific system requirements. The communication networks can use both traditional copper based cables and also fibre optic cables.

TYPICAL CONTROL SYSTEMS *Included*

Power Management
 Propulsion Control
 Cargo Control
 Fuel Transfer
 HVAC

CABIN CALL UNITS

Touchscreen colour display units or simple call panels as required by the customer.

PHYSICAL ATTRIBUTES

In respect of retrofit and conversion applications, the IMCS2200 can be engineered to fit the space of the previous system. It can be supplied for 'bulkhead mounting' or 'panel mounted' outstations in sizes to suit the application.

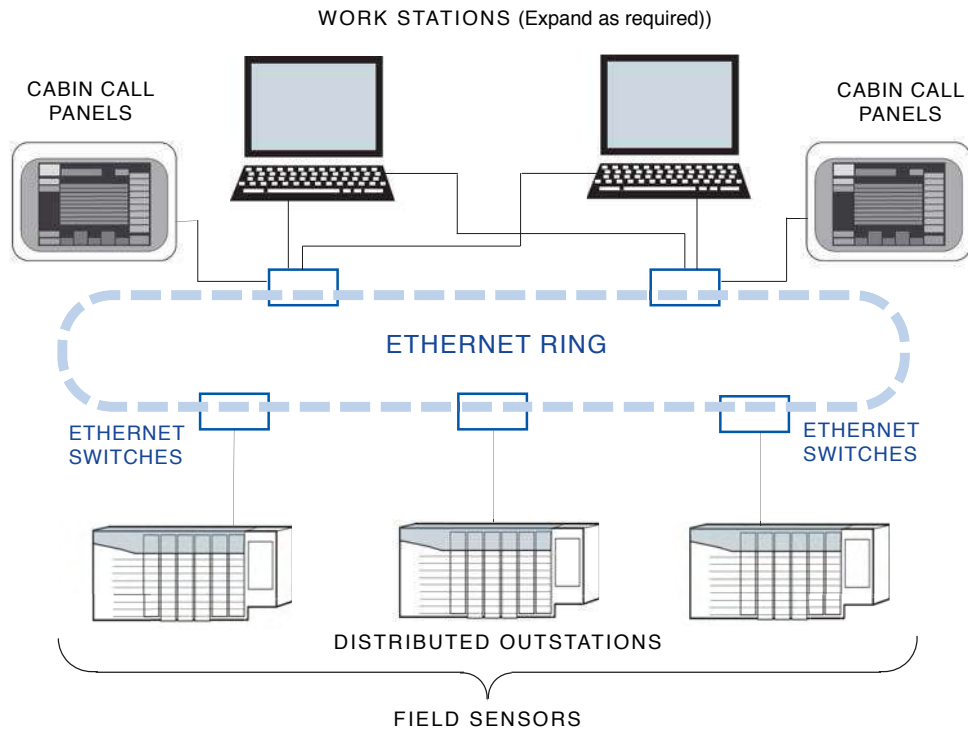
SOFTWARE

The software is configured from proven blocks of re-useable software and is given to the 'client' with detailed documentation to reduce the cost of system ownership.

POWER

Both AC and DC power supplies can be employed providing they are battery backed. We can also supply these if required.

SIMPLIFIED SYSTEM OVERVIEW



P&S AUTOMATION LIMITED

Unit 22C & D
 West Station Industrial Estate
 Maldon, Essex, CM9 6TS
 T: +44 (0) 1245 322 777
 F: +44 (0) 1245 322 776

E: enquiries@PandSautomation.com
 W: www.PandSautomation.com

